

Model: TWST, BST

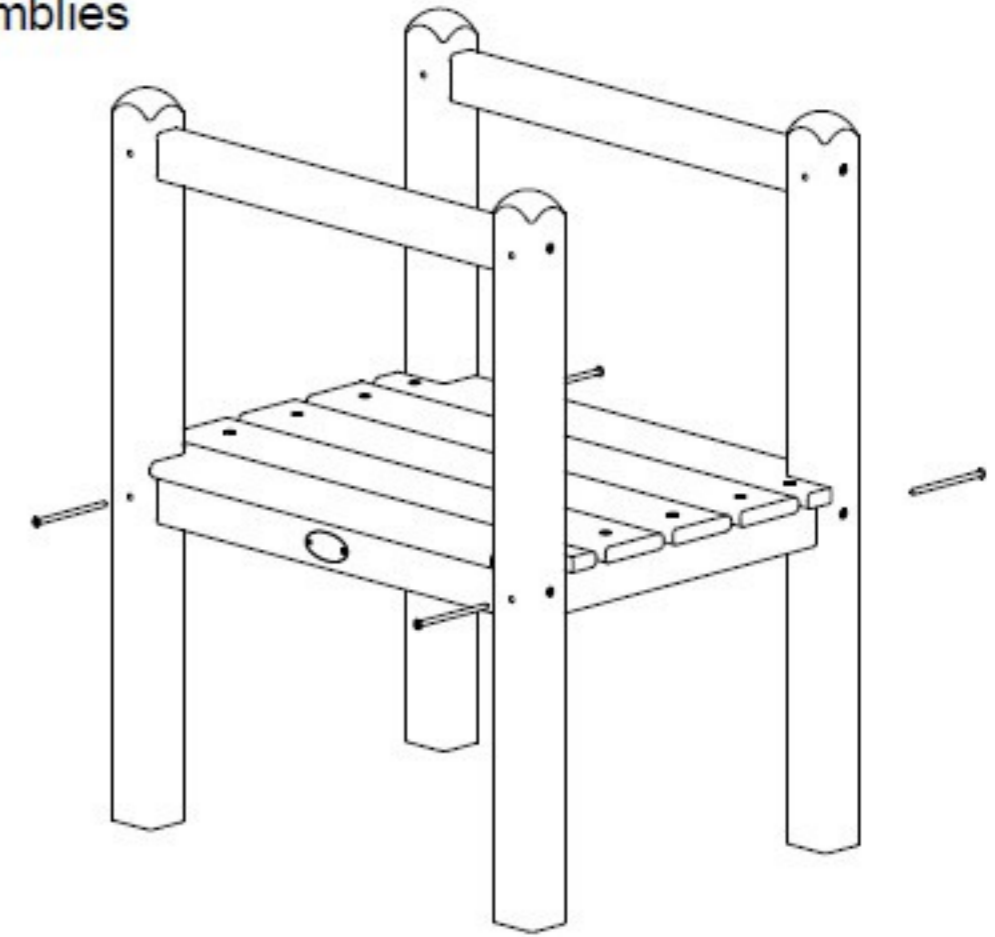
- (2) Trays
- (2) Leg assembly
- (1) Hardware pack

**TOOLS NEEDED**

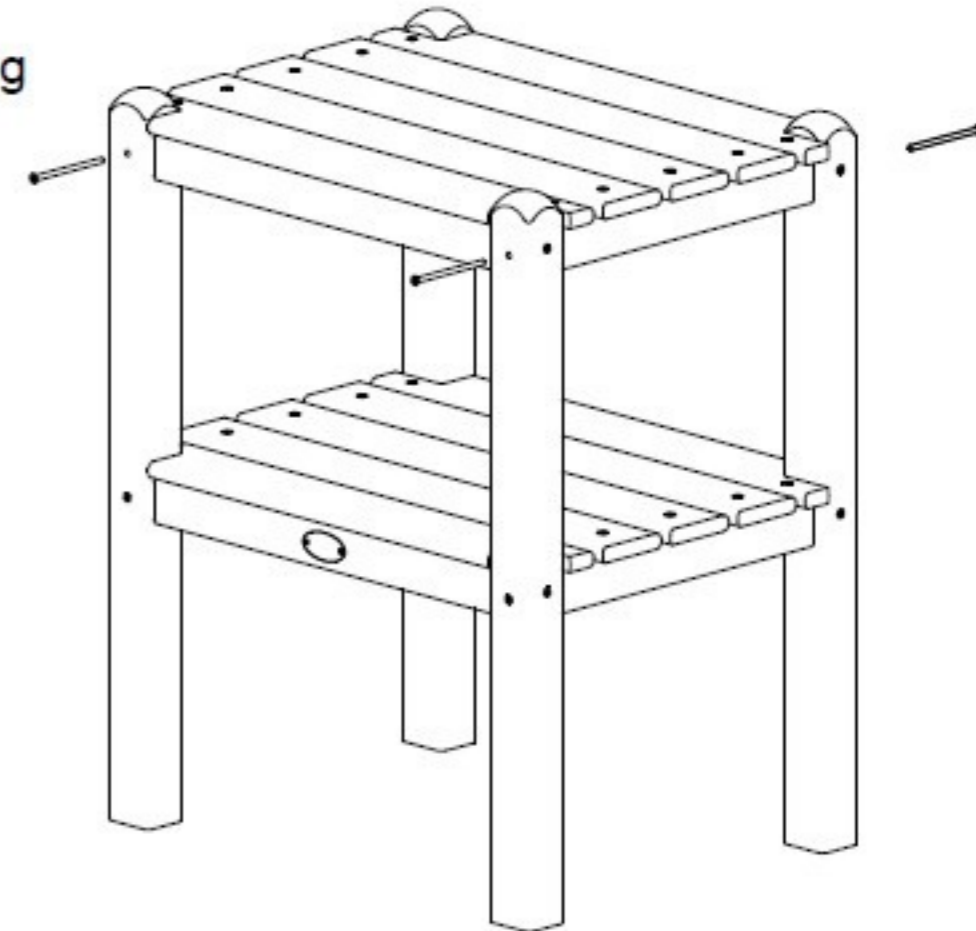
Phillips head screwdriver  
A screw gun is required

**Step 1**  
Attach a tray to the middle of the leg assemblies  
by resting tray on the leg assemblies  
Uses (4) 8x3 screws

Note:  
Trays do not have pilot holes.  
Screws go directly into Polywood  
without pilot holes



**Step 2**  
Attach other tray to the top of the leg  
assemblies.  
Uses (4) 8x3 screws



Qty.	Description
8	A - 8 X 3 PHIL FLAT SCREW