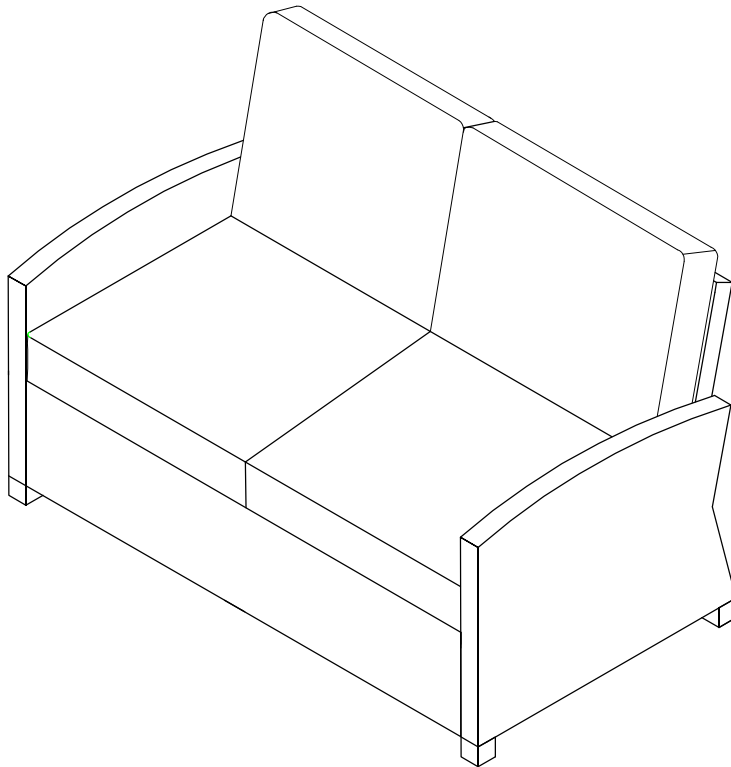




Biltmore Outdoor Wicker Loveseat

CO7115-WB



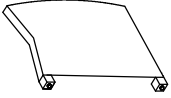
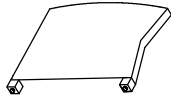








Congratulations! You have purchased a stylish piece of Crosley Furniture. We strive to provide fine furniture products, built with quality materials and hand finished details. Please carefully follow the assembly instructions to ensure your furniture is assembled correctly to provide long lasting enjoyment.

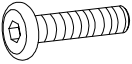
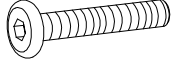
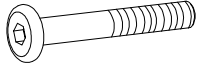
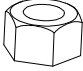

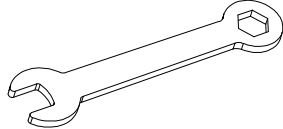

Should you experience any missing or damaged parts **do not return to the store.** Please visit our website [www.crosleyfurniture.com](http://www.crosleyfurniture.com) or contact us directly at 800-815-4796.

**Care: Use a soft, clean cloth that will not scratch the surface when cleaning. The use of solvents is not necessary. Should you choose to use solvents, test in an inconspicuous area first to avoid damaging the finish. To clean, simply use a soft, clean cloth lightly dampened with water.**

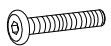
## PART LIST

					
Left Arm Panel		Right Arm Panel		Back Panel	
A	1PC	B	1PC	C	1PC
					
Seat Panel		Cover Of Seat Cushion		Inner Of Seat Cushion	
D	1PC	E	2PCS	F	2PCS
					
Cover Of Back Cushion		Inner Of Back Cushion			
G	2PCS	H	2PCS		

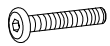
## HARDWARE LIST

					
Short Bolt(M6*40mm)		Medium Bolt(M6*55mm)		Long Bolt(M6*65mm)	
I	2PCS	J	4PCS	K	7PCS
					
Nut(M6mm)		Washer(M6mm)		Wrench(M6mm)	
L	7PCS	M	20PCS	N	1PC
					
Allen Key(M6mm)					
O	1PC				

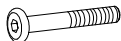
## EXTRA HARDWARE LIST



I X1PC



J X1PC



K X2PCS

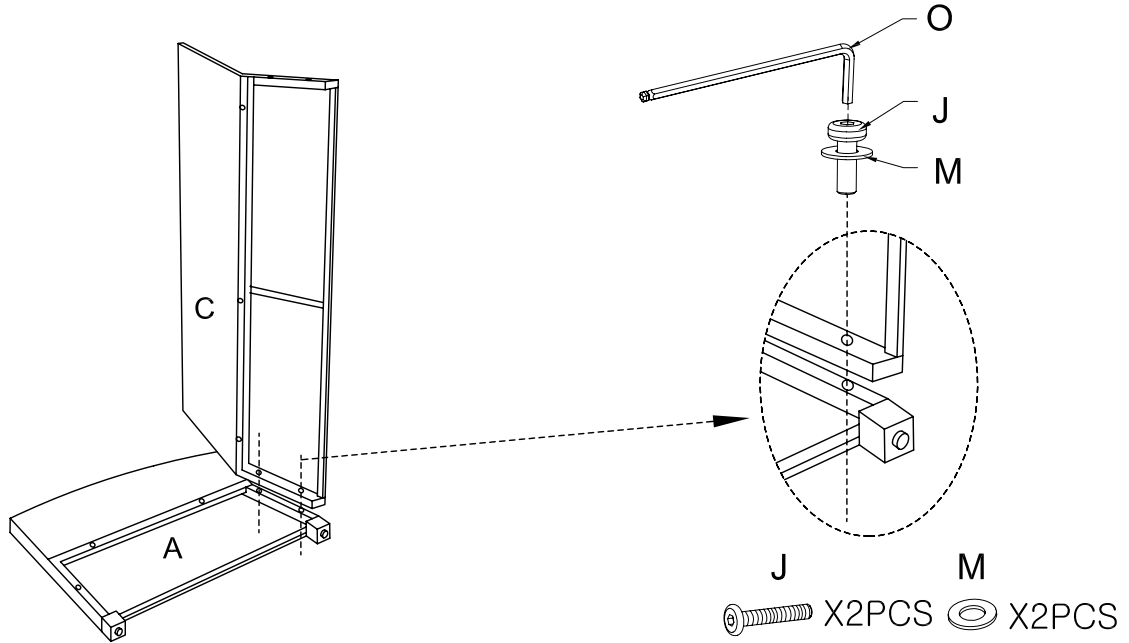


L X2PCS

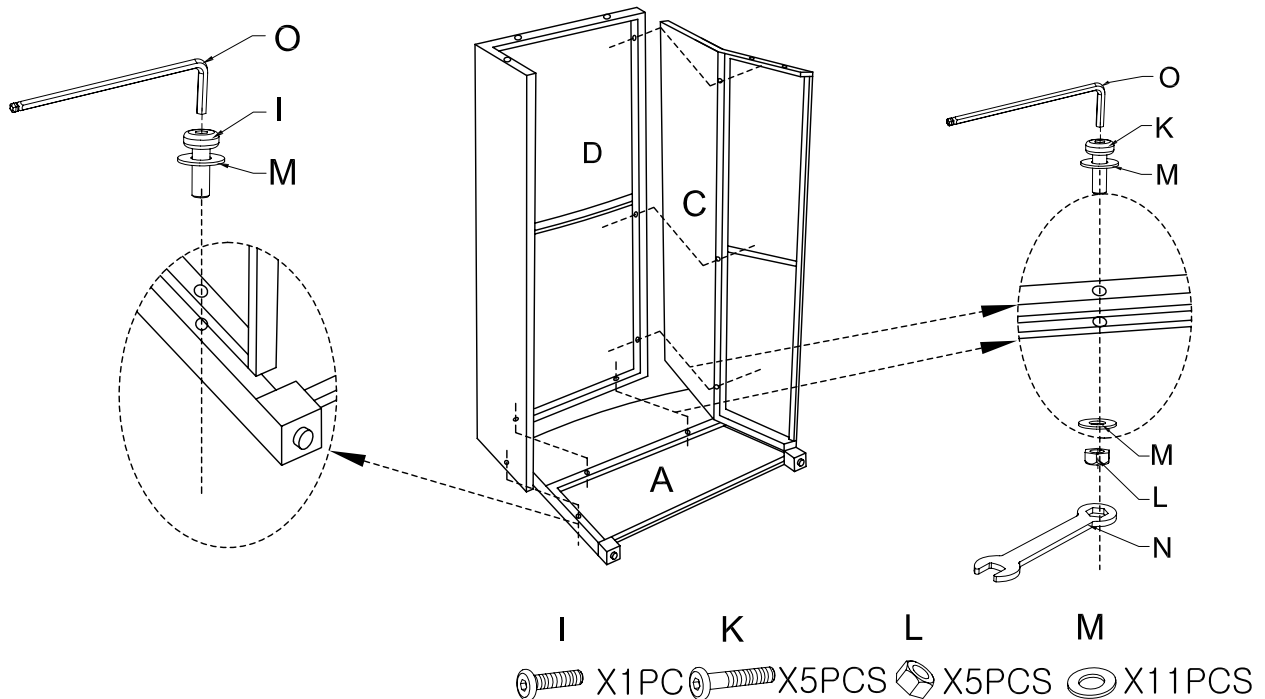


MX3PCS

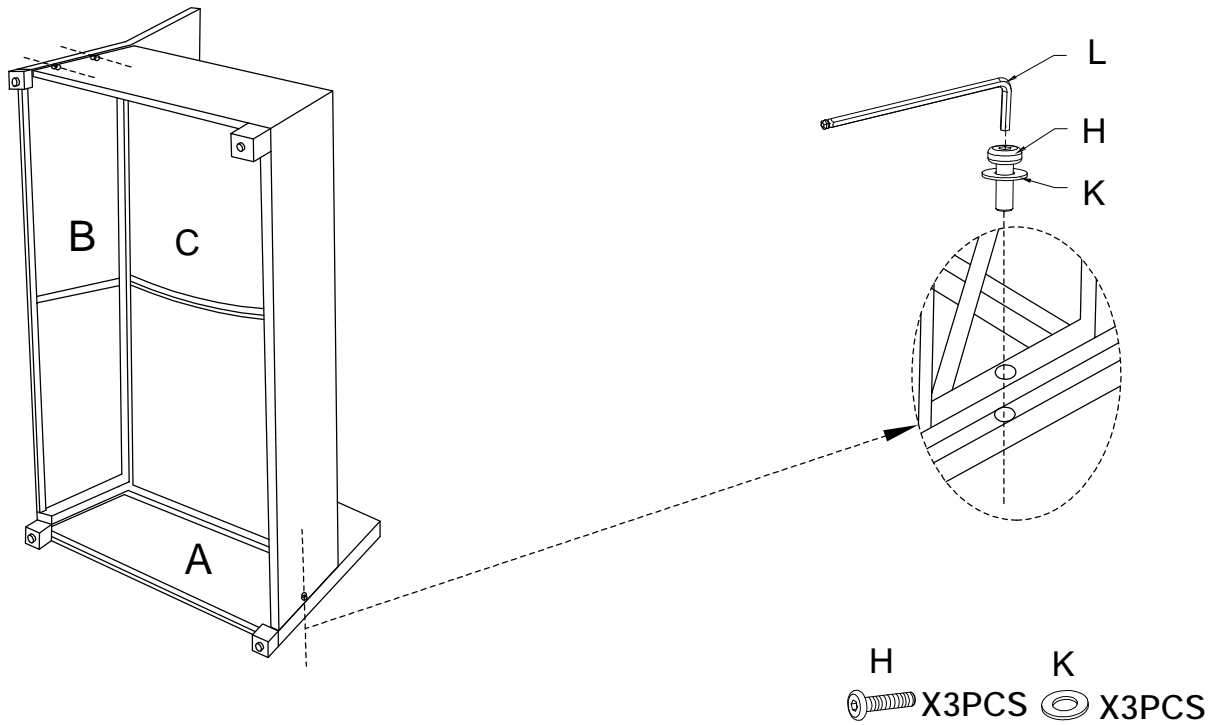
**Step 1.** Lay Left Arm Panel (A) down on a flat surface. Attach Back Panel(C) to Left Arm Panel(A) using the Medium Bolts(J), Washers(M) & Allen Key (O).  
 NOTE: Please do not fully tighten bolts until unit is fully assembled.



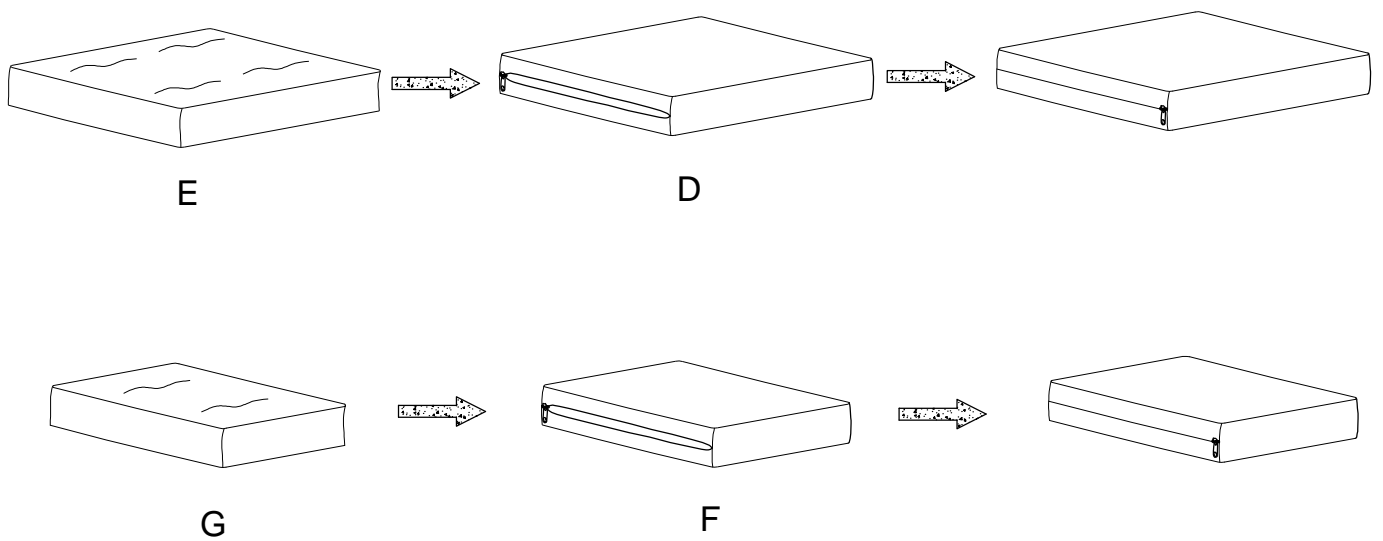
**Step 2.** Attach Seat Panel(D) to Left Arm Panel(A) and Back Panel (C) using the Short Bolts(I), Long Bolts( K), Washers(M), Nuts(L), Wrench (N) & Allen Key (O).



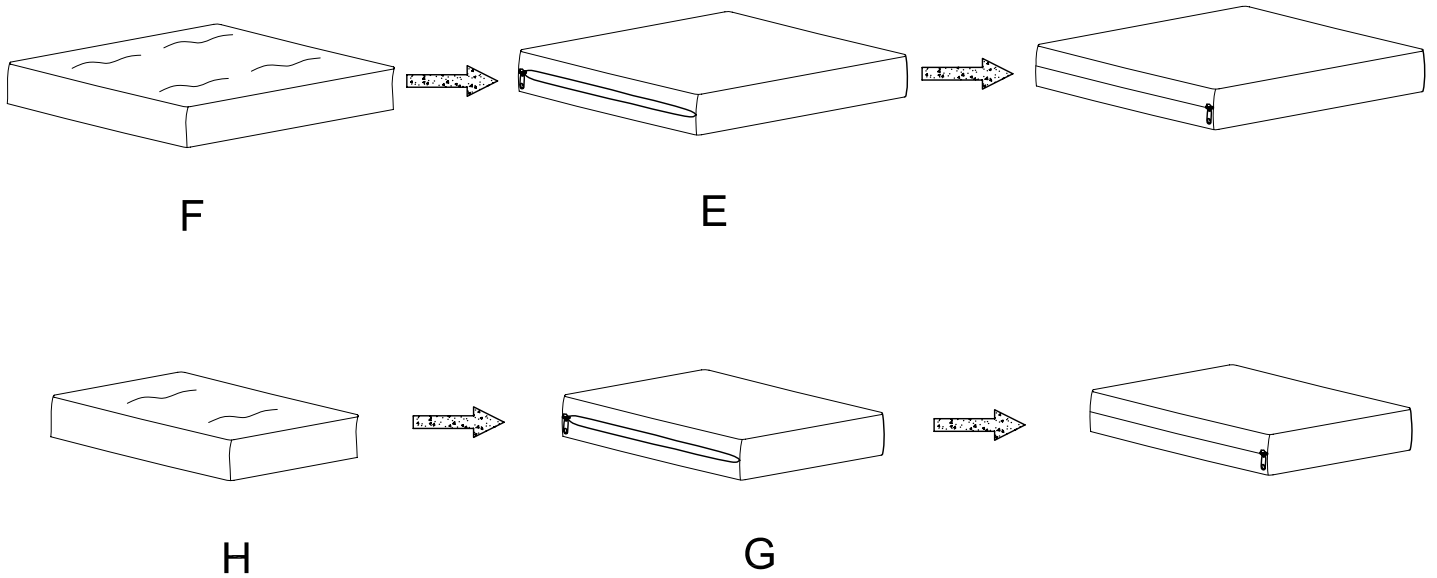
**Step 3.** Attach Seat Panel (C) to Arm Panel (A) and Back Panel (B) using the Short Bolts(H), Washers (K) & Allen Key (L).



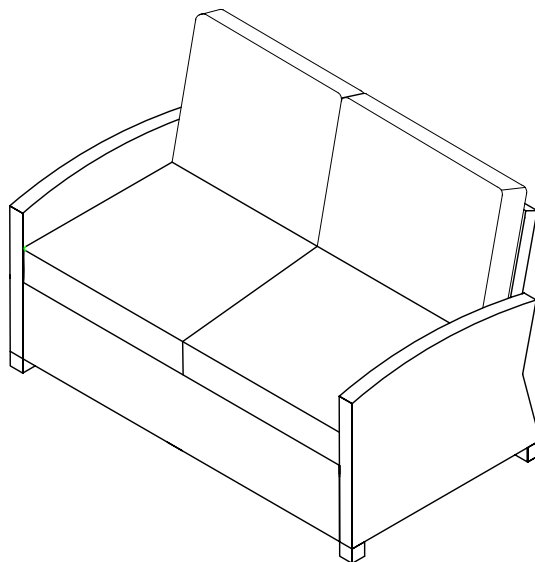
**Step 4.** Insert Inner Of Seat Cushion (E) into Cover Of Seat Cushion (D).  
Insert Inner Of Back Cushion (G) into Cover Of Back Cushion (F).



**Step 4.** Insert Inner Of Seat Cushion (F) into Cover Of Seat Cushion (E).  
Insert Inner Of Back Cushion (H) into Cover Of Back Cushion (G).



**Step 5.** Place Seat Cushion and Back Cushion on the loveseat.





## Limited Manufacturers Warranty

Crosley Furniture Products are warranted against defects in material and workmanship for a period of 90 days beginning from the date of sale. Should any parts be missing or defective, we will replace or repair the parts for a period of 90 days from the date of purchase.

**Should you experience any missing or damaged parts, do not return to the store.** Please contact us directly at 800-815-4796 from 9 AM to 5 PM (EST) Monday to Friday.

This warranty gives the purchaser specified legal rights in addition to any rights which may vary from state to state.

In accordance with the "Moss-Magnuson Warranty Act" of July 10, 1975, this is termed a "limited warranty" which in no way compromises Crosley Furniture's high standards of Quality and Workmanship.