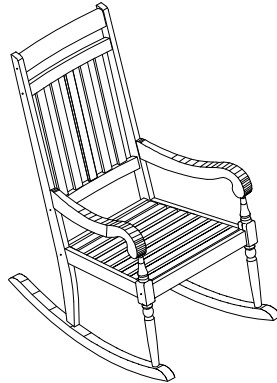




CAROLINA CHAIR & TABLE COMPANY

Assembly Instructions JR1101



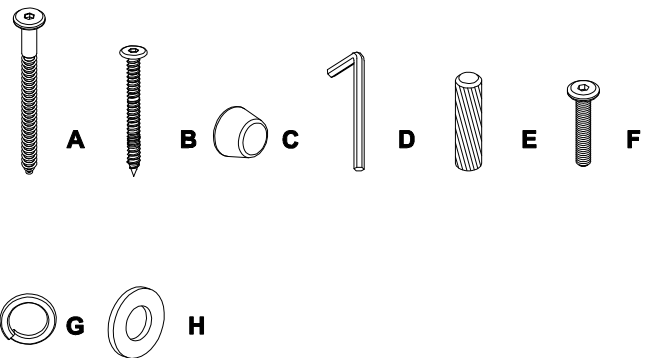
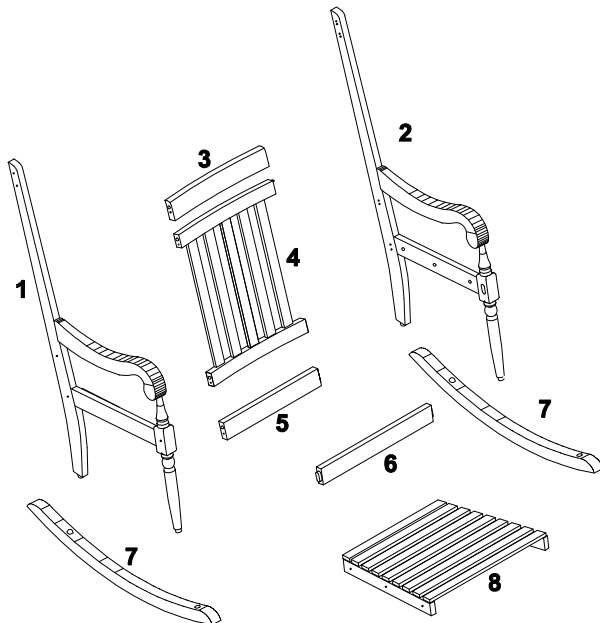
Thank you for purchasing a Carolina Chair & Table Company product. This product has been designed for easy assembly and is constructed for durability. Please take this time to read and follow the assembly instructions carefully. If a part or hardware is missing or you have any difficulties in assembling this product, please contact us Toll-Free at 1-800-228-3876.

PARTS LIST :

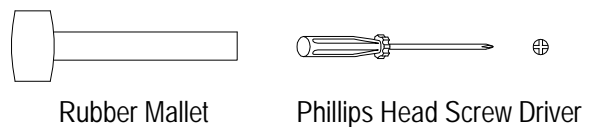
1 RIGHT ARM REST FRAME	1 PC.
2 LEFT ARM REST FRAME	1 PC.
3 HEAD REST	1 PC.
4 BACK REST	1 PC.
5 BACK CROSS BAR	1 PC.
6 FRONT CROSS BAR	1 PC.
7 WOOD SKID	2 PCS.
8 SEAT	1 PC.

HARDWARE LIST :

A SCREW-M6x80	6 PCS.
B SCREW-M6x60	8 PCS.
C WOOD BUTTON - 14mm DIA.	10 PCS.
D ALLEN KEY	1 PC.
E WOOD DOWEL - DIA. 8x30mm	8 PCS.
F BOLT-M6x35	6 PCS.
G SPRING WASHER - 10mm DIA.	6 PCS.
H FLAT WASHER-M6.	6 PCS.



TOOLS REQUIRED (NOT INCLUDED) :



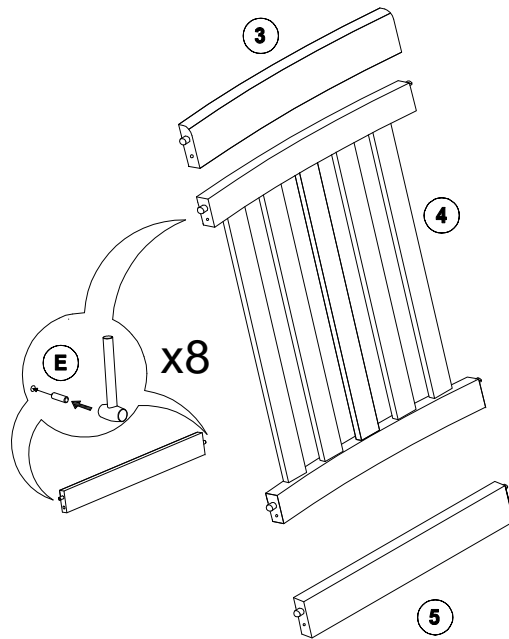
IMPORTANT NOTE :

- Place all wooden parts on a clean and smooth surface such as a rug or carpet to avoid the parts from being scratched. Check to be sure that you have all parts and hardware. Remove all wrapping materials before you start to assemble. Do not tighten all screws/bolts until all completely assembled.
- Keep all hardware parts out of reach of children.
- **DO NOT TIGHTEN BOLTS/SCREWS UNTIL ALL COMPLETELY ASSEMBLED.**

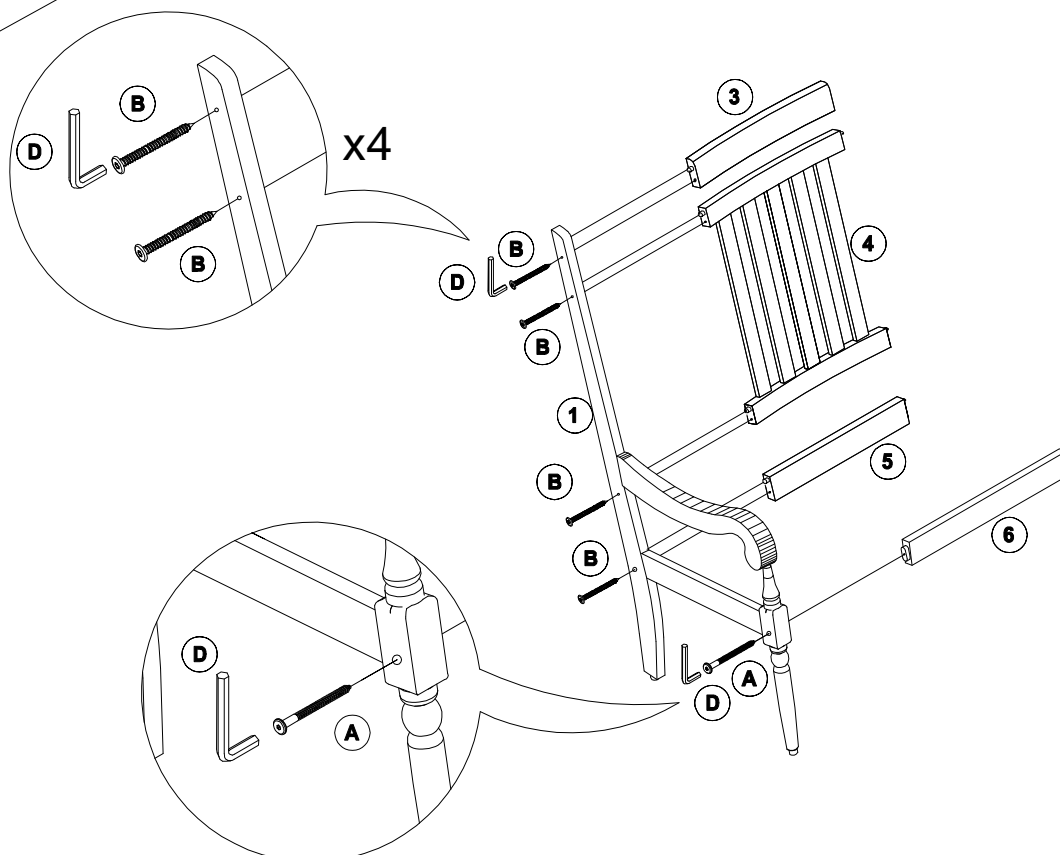
Assembly Instructions

JR1101

1

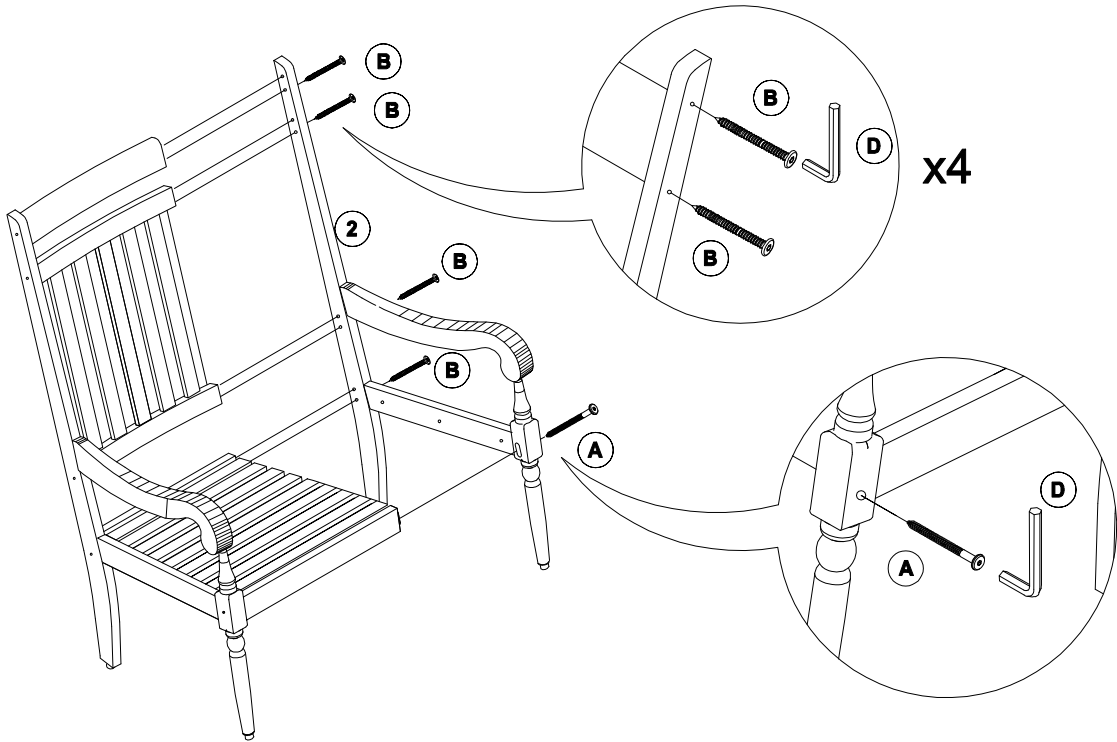


2

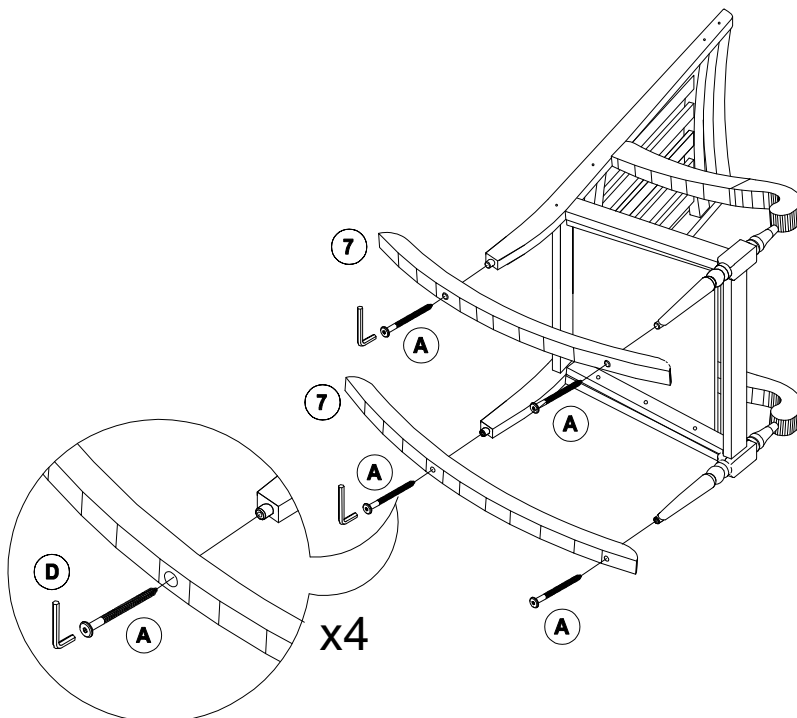


Assembly Instructions JR1101

3



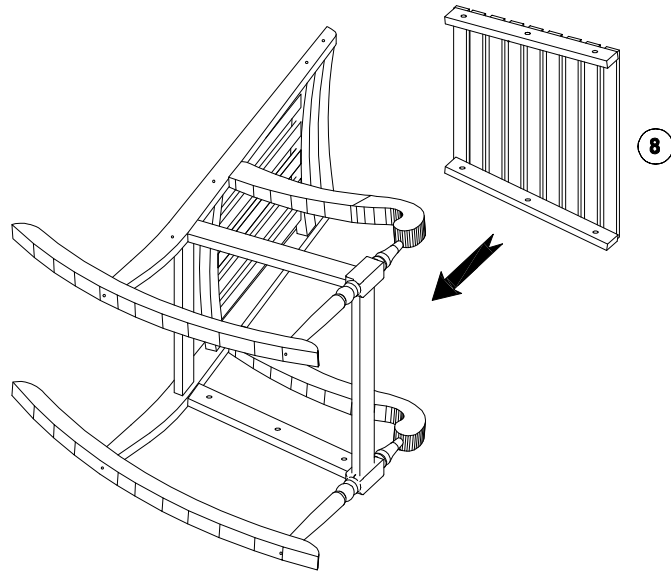
4



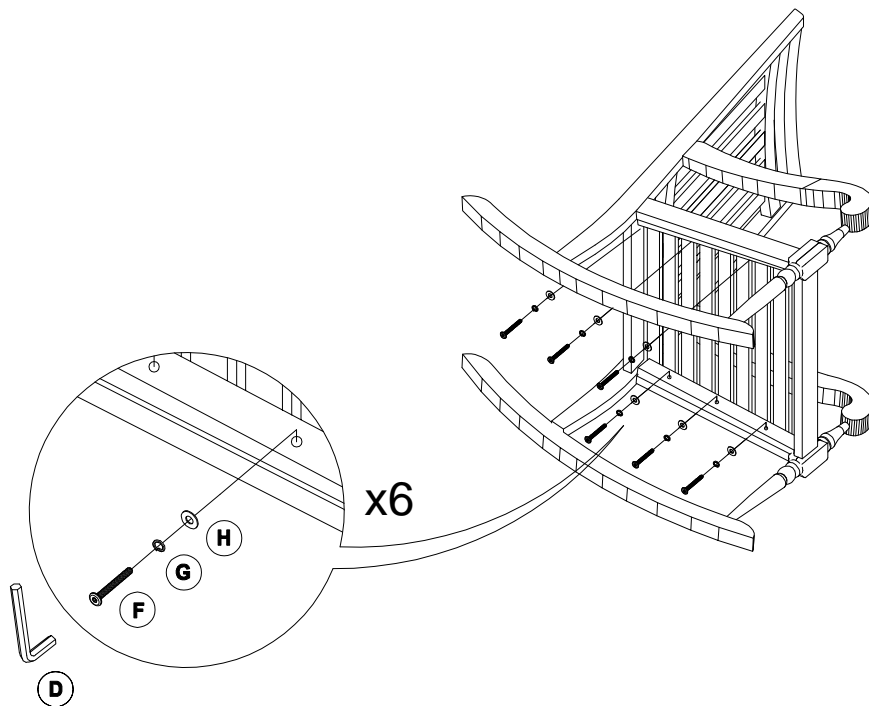
Assembly Instructions

JR1101

5



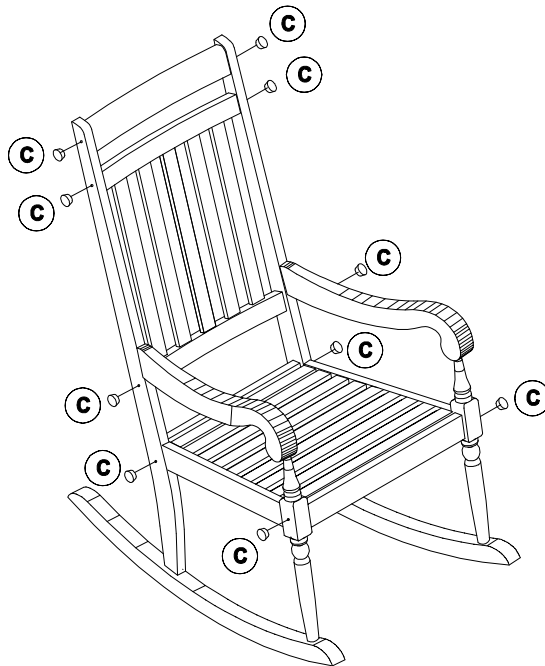
6



Assembly Instructions

JR1101

7



CARE AND MAINTENANCE

- The touch of a soft cloth is all the maintenance your wood pieces will ever need. Never use harsh chemical or abrasive cleaners, as they could mark or destroy finish.
- Bolts, screws, and nuts may loosen during everyday use. They should be periodically inspected and re-tightened. Always visually check that all hardware on the list is attached and kept tightened.

MADE IN VIETNAM